

## BZZ8030

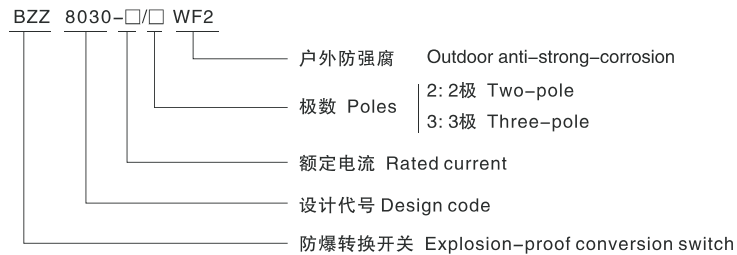
系列防爆防腐转换开关(ⅡC)



### 适用范围 Application

- 适用于1区、2区危险场所。
- 适用于ⅡA、ⅡB、ⅡC类，温度组别为T1~T5/T6的爆炸性气体环境。
- Can be used in hazardous areas: Zone 1 and Zone 2.
- Can be used in explosive gas atmospheres of Category IIA、IIB and IIC where the temperature classification is T1 ~ T5/T6.

### 型号含义 Model implication



### 技术参数 Technical parameters

- 执行标准: GB 3836.1、GB 3836.2、GB 3836.3、IEC60079
- Implementing the standard: GB 3836.1、GB 3836.2、GB 3836.3、IEC60079
- 防爆标志: Exed Ⅱ CT5
- Explosion-proof mark: Exed Ⅱ CT5
- 防护等级: IP65
- Protection grade: IP65
- 防腐等级: WF2
- Explosion-proof class: WF2

产品型号 Type	额定电压(V) Rated voltage	额定电流(A) Rated current	进出线口数量 Inlet's number	进线口螺纹(G") Inle t's thread	电缆外径(φ,mm) Cable's outside diameter		
BZZ8030-16	220	16	2	3/4	9~14		
	380						
BZZ8030-32	220	32		2	1	11~18	
	380						
BZZ8030-63	220	63			2	1 1/2	17~28
	380						

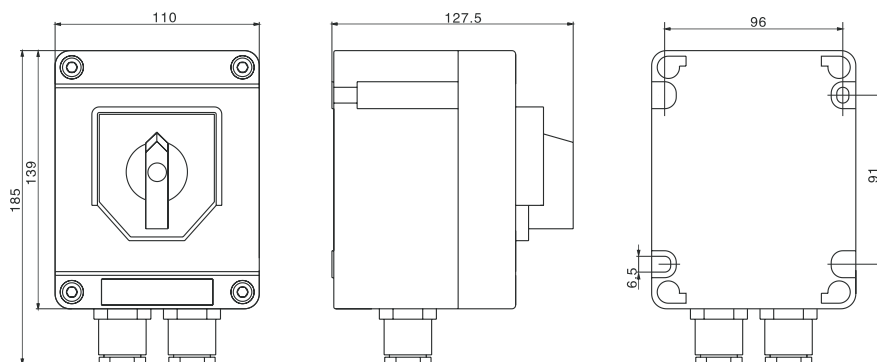
## BZZ8030

Type explosion-proof corrosion-proof conversion switch (II C)

### 产品特点 Features

- 外壳为增安型结构，采用玻璃纤维增强不饱和聚酯树脂压制而成，具有耐腐蚀，耐冲击及热稳定性好等优良性能；
  - 采用曲路密封结构设计，具有良好的防水防尘性能；
  - 内装开关为防爆元件，有2极，3极开关可供选择；
  - 钢管或电缆布线。
- The enclosure is made of high rigid, flame-proof engineering plastic with aesthetic outline, functions of electrostatic-resistant, impulsion-withstanding, thermal stability and corrosion-proofing.
  - Adopt curve-sealed structure, with the strong performances of waterproof and dustproof.
  - Provision is made to offer padlock on socket. If out of operation, the socket cover can't be opened by pad lock, so that local inspection and witness are easy.
  - Conduit wiring or cable wiring.

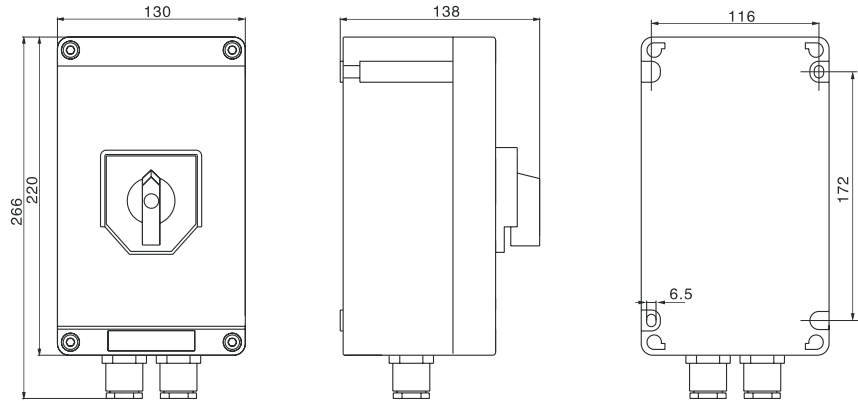
### 外形及安装举例 Outline and mounting example



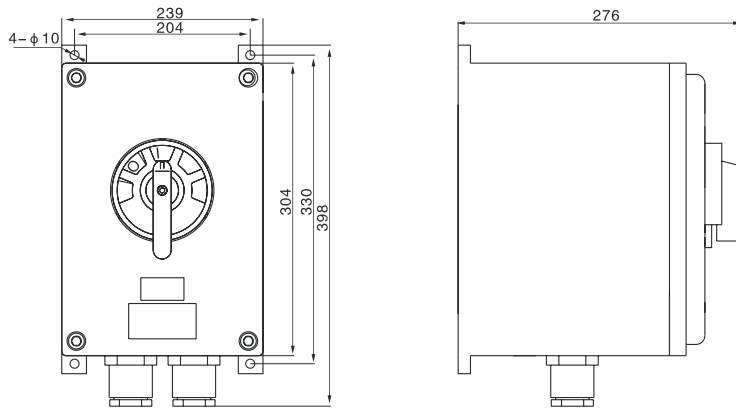
BZZ8030-20/3

## BZZ8030

系列防爆防腐转换开关(II C)



BZZ8030-32/3



BZZ8030-63/3