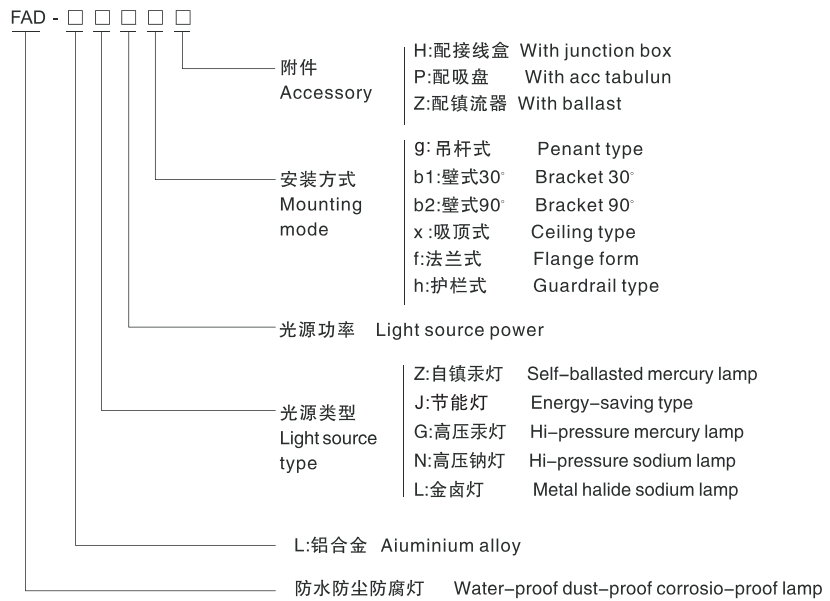


FAD

系列防水防尘防腐灯



型号含义 Model implication



使用环境 Environmenr conditions

- 环境温度-25° C至+55° C;
- 安装高度不超过海拔2000m;
- 适用于强酸、强碱腐蚀、多水、多尘、潮湿等环境;
- 广泛应用于石油、化工、食品、制药、仓库等工业企业,主要作为厂房照明和车间照明;
- 根据不同的光源,必须选择匹配的镇流器,用户电源电压波动范围必须满足国家标准要求。
- Ambient temperature is-25° Cto +55° C.
- The height of installment cam t over 2000 meters above sea level.
- they can withstand the corrosion of strong acid,strong alkali, and the environment of more watet, more dust and humidity.
- they are widely used in the lines of pertroleum,chemistry,food mendicine,depot and so on,they are mainly used in illumination of the factories and the workshops
- According to different illumination,they must choose electricl ballast accordingly,the user' s power voltage fluctant range must accordto the national standard.

FAD

Type water-proof dust-proof corrosion-proof full lamp

产品特点 Model implication

- 灯具壳体采用ZL102铝合金压制而成，结构轻巧，外形美观；
 - 产品表面采用高压静电喷塑；
 - 本产品抗强酸弱碱盐腐蚀、防腐等级WF1，防护等级IP65；
 - 所有外露紧固件均采用不锈钢，密封件采用硅橡胶，耐油、耐酸、耐碱、耐高温；
 - 安装方式多样，灯罩能快速开启，便于维修。
- Light appliance' shell is diecasted dy reinforced glass-fiber and unsaturated ployster resin, with light structure and beautiful appearance.
 - the surface of product adopt high coaltage static plastic-sprayed.
 - the products can with stand the corrosion of strong acid, weak alkali salt, and have the fuction of water-proof, dust-proof, anti-corrosion grade is WF1, the protection grade reaches Ip65.
 - All the leakage fixers adopt s tainless steel, the sealers ad opt silicon rubber, which can withstand oil acid alkalis, high temperature.
 - Installment methods are versatile and the lamp-cover can open quickly, which is convenient for maintenance.

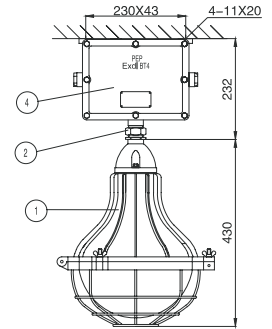
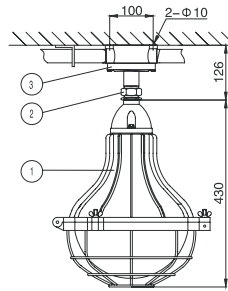
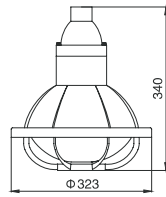
技术参数 Technical parameters

光源类型 Light source type	额定电压(V) Rated voltage	额定功率(W) Rated power	防护等级 Protectoion grade	防腐等级 Corrosion- proof grade	灯座 规格 Lamp spec	电缆规格 (Φ,mm) Cable's spec	进线口 规格(G") Inet'spec.
白炽灯 Incandescent lamp	AC220V	≤200	IP65	WF1	E27 E40	9~14	3/4
高压汞灯 Hi-pressure mercury lamp		≤125					
金卤灯 Metal halide lamp		≤100					
高压钠灯 Hi-pressure sodium lamp		≤110					
自镇汞灯 Self-ballasted mercury lamp		≤125					
节能灯 Energy-saving lamp		≤65					

FAD

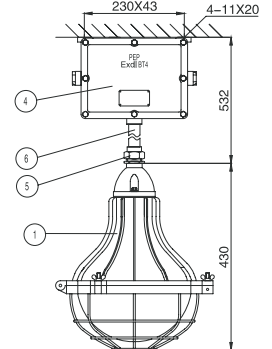
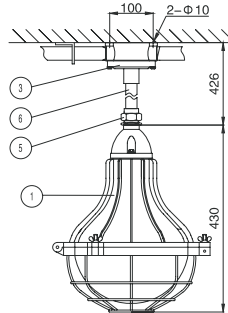
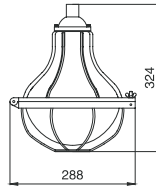
系列防水防尘防腐灯

外形及安装举例 Outline and mounting example



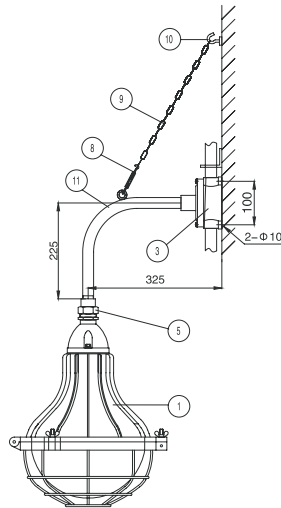
x:吸顶式 Ceiling type

x:吸顶式 Ceiling type

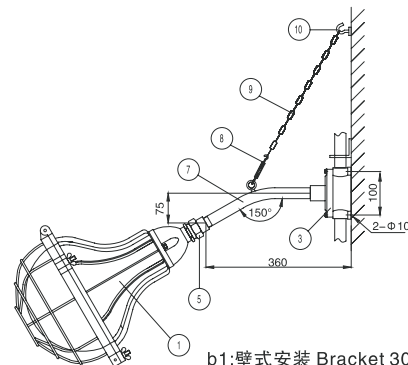


g:吊杆式 Pendant type

g:吊杆式 Pendant type



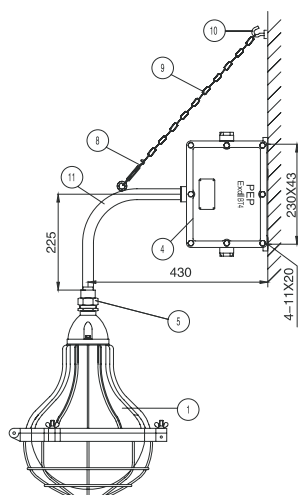
b2:壁式安装 Bracket 90°



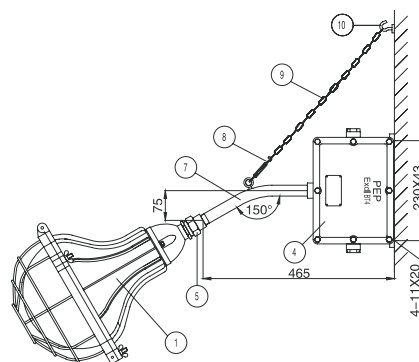
b1:壁式安装 Bracket 30°

FAD

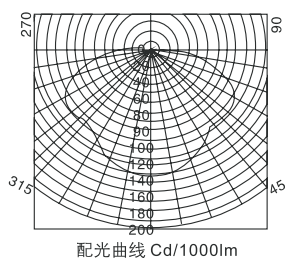
Type water-proof dust-proof corrosion-proof full lamp



b2: 壁式安装 Bracket 90°



b1: 壁式安装 Bracket 30°



配光曲线 Cd/1000lm

序号	名称	备注
1	防水防尘防腐灯具	
2	防水防尘防腐活接头FHJ-CG3/4"	用户另配
3	防水防尘防腐接线盒FHD-GG3/4"	用户另配
4	防水防尘防腐镇流器FAZ	用户另配
5	防水防尘防腐活接头FHJ-BG3/4"	用户另配
6	直管G3/4" × 300mm	
7	30° 弯管G3/4" × 300mm	
8	CC型索具螺旋扣M6	
9	链条450mm	
10	膨胀螺栓M6	
11	90° 弯管G3/4" × 500mm	

订货须知 Ordering references

订货时请注明产品的完整型号；

Provide complete ordering products type.

本产品出厂时不配光源，由用户自备。

Without providing the illuminant of lamp appliance