

BQXB

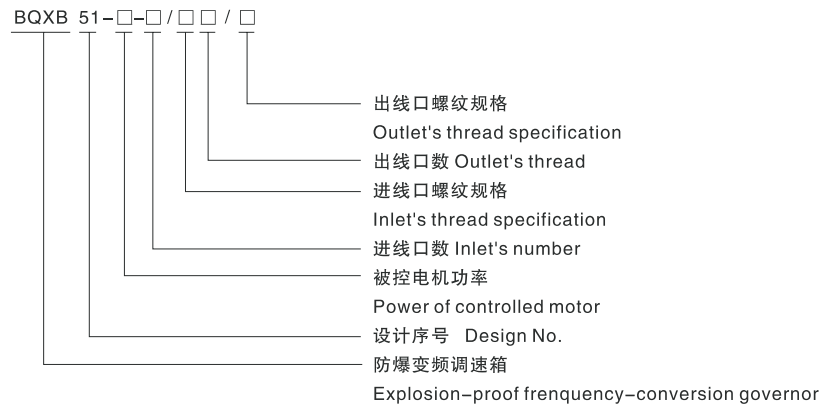
系列防爆变频调速箱(II B)



适用范围 Application

- 适用于1区、2区危险场所。
- 适用于II A、II B类，温度组别为T1~ T4的爆炸性气体环境。
- Can be used in hazardous areas: Zone 1 and Zone 2.
- Can be used in explosive gas atmospheres of Category IIA and 、II B where the temperature classification is T1 ~ T4.

型号含义 Model implication



技术参数 Technical parameters

- | | |
|--|---|
| ■ 执行标准: GB 3836.1、GB 3836.2、
IEC60079、GB12476.1 | ■ Implementing the standard: GB 3836.1、
GB 3836.2、
IEC60079、
GB12476.1 |
| ■ 额定电压: AC 380V | ■ Rated voltage: AC380V |
| ■ 防爆标志: Exd II BT6Gb/DIPA20TA,T6 | ■ Explosion-proof mark: Exd II BT6Gb/DIPA20TA,T6 |
| ■ 防护等级: IP65 | ■ Protection grade: IP65 |
| ■ 防腐等级: WF1 | ■ Corrosion-proof grade: WF1 |

BQXB

Type explosion-proof frequency-conversion governor (II B)

产品型号 Type	电机功率 (kW) Motor power	电源线电流(A) Line current of power supply	变频器最大瞬时 电流(A)Max. Instantaneous current	引入口螺纹 (G") Inlet's thread	电缆外径 (φ,mm) Cable's outer diameter
BQXB-5.5	5.5	20	12	1	11~18
BQXB-7.5	7.5	25	16		
BQXB-11	11	36	22	11/2	14~25
BQXB-15	15	45	30		
BQXB-18	18	52	36		
BQXB-22	22	60	44	2	25~38
BQXB-30	30	79	60		
BQXB-37	37	94	72		
BQXB-45	45	112	85		

产品特点 Features

- BQXB系列防爆变频调速箱可通过改变其输出频率来调节普通三相异步电动机的转速，以达到生产工艺的要求，或实现节电的目的，节电率可达30%~60%，也可作为电动机软起动器，也可通过传感器，变送器等控制电路组成闭环调速系统。
- 安装操作简单，起动平衡无冲击电流（软起动），电源容量大大降低，功率因数恒定，同时具备故障显示等各种功能。
- 外壳为钢板焊接或铸铝合金壳体，表面高压静电喷塑；
- 具有过电流、短路、过电压、欠电压、瞬时停电、断相等自保护功能；
- 可数字或指针显示频率、转速以及负载率或电流等；
- 本产品调速变频器为进口元件，可手动调节频率，也可设定转速按时间变化的工艺曲线，也可由DCS系统给出信号来控制其频率；
- 钢管或电缆布线。
- BQXB governor is mainly used to adjust the speed of 3-phase asynchronous motor by converting output frequency, so as to meet with production requirements or save electrical energy up to 30%~60%, Also it can be used as soft starting controller of motor, furthermore it can be combined with sensor, transforming device, etc, to form speed adjusting system of closed loop.
- Features: ease to install and operate, start in balance without shock current (soft starting), decreasesupplied power, constant power, constant power factor, fault indication.
- The shell is made of diecasted Al-alloy or welded of steel plates.
- Protection of over current, short-circuit, over voltage, under voltage, instantane-ous de-energization and phase-failure.
- Digital or pointer indication of frequency, rotary speed, load rate and current.
- Manually adjusting frequency is available, able to set the characteristic curve in accordance with rotary speed accompanied by time passing, the frequency is able to be controlled as well by DCS

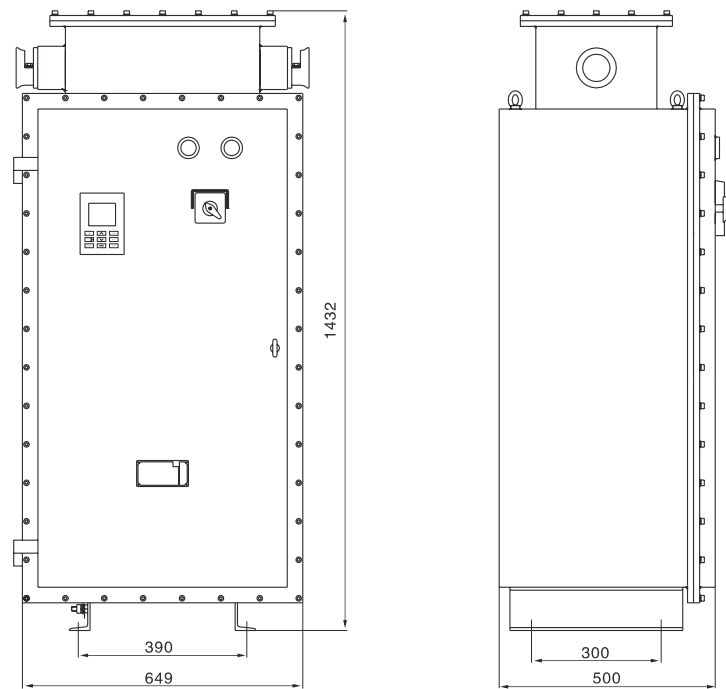
BQXB

系列防爆变频调速箱(ⅡB)

system's sending adjusting signal. The main components are imported. Inside is arranged ammeter, voltmeter, air circuit breaker, indicator, AC contactor, conversion switch, and buttons for starting or stopping. According to user's requirement, components or operating modes can be freely chosen as possible.

■ Conduit wiring or cable wiring.

外形及安装举例 Outline and mounting example



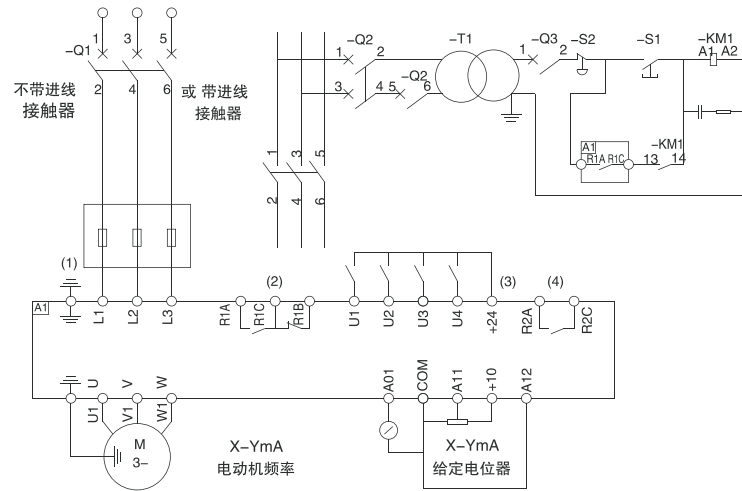
外形示意图，因尺寸变化较多，具体尺寸与用户商定。

Outline sketch, dimension's making according to user's requirement because of changabledimension.

BQXB

Type explosion-proof frequency-conversion governor (II B)

电气原理图 Electrical principle chart



系统图 System drawing

