

## RDB88

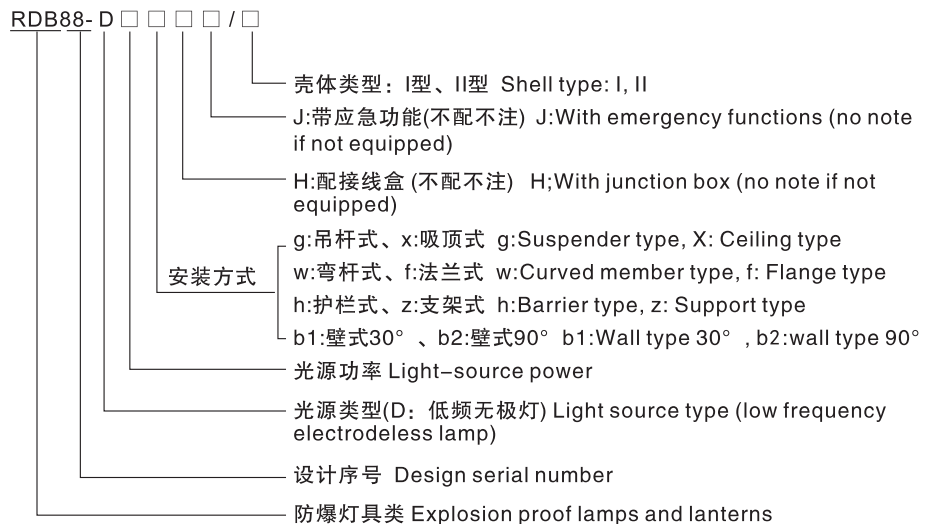
explosion-proof maintenance-free energy-saving lamps(IIC、DIP)



### 适用范围 Application

- ◆ 适用于爆炸性气体环境1区、2区；
  - ◆ 适用于可燃性粉尘环境21区、22区；
  - ◆ 适用于IIA、IIB、IIC级爆炸性气体环境；
  - ◆ 适用于温度组别为T1~T6的环境；
  - ◆ 可配装高频或低频无极灯；
  - ◆ 可根据用户要求配带应急功能；
  - ◆ 适用于石油采炼、储存、化工、医疗、军工及军事设施等爆炸性危险环境。
- 
- ◆ Applicable to Area 1 and 2 of explosive gas atmospheres;
  - ◆ Applicable to Area 21 and 22 of combustible dust atmospheres;
  - ◆ Applicable to IIA, IIB, IIC of explosive gas atmospheres;
  - ◆ Applicable to T1~T6 temperature group;
  - ◆ With high or low frequency electrodeless lamp
  - ◆ With emergency functions according to user requirements;
  - ◆ Applicable to petroleum mining, storage, chemical industry, military industry, military installation and other explosive dangerous environments.

### 型号含义 Model implication



## RDB88

防爆免维护低碳无极灯(IIC、DIP)

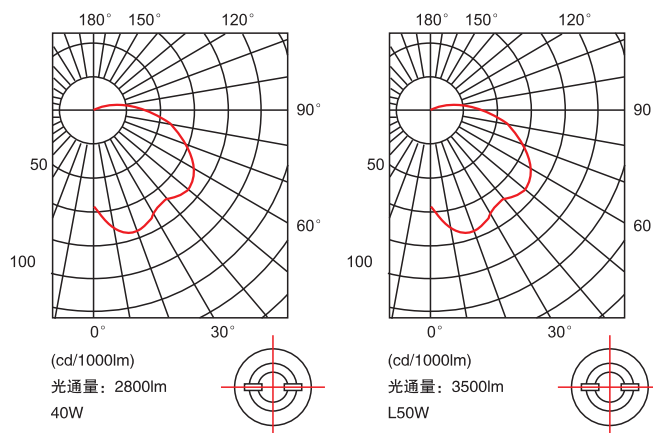
### 产品特点 Product feature

- 1.外壳采用铝合金压铸成型，表面经高压静电粉末喷塑处理；
- 2.采用光源腔与电源腔独立设计，翅片式结构外壳，增强散热效果；
- 3.高强度工程塑料玻璃灯罩；
- 4.内装双磁环低频无极灯光源，光效高、寿命长、免维护；
- 5.灯具隔爆接合面设有“O”形密封圈，防水性能好；
- 6.保护网采用镀锌后浸塑处理，美观耐用，防腐性能好；
- 7.外露紧固件采用不锈钢材质；
- 8.采用全螺纹结构设计，能快速开启，便于安装与维护；
- 9.钢管布线。

- 1.Housing is made of aluminum alloy with die-cast formation and high voltage electrostatic powder spraying treatment is carried out on the surface;
- 2.Fully independent separate design is used for light source cavity and power source cavity and fin structure housing is used to reinforce heat emission efficiency;
- 3.High strength engineering plastics glass lamp shade
- 4.Built-in double magnet ring low frequency electrodeless lamp with high lighting effect, long life and maintenance-free;
- 5.Explosive-proof adjoining face of lamps is equipped with O seal ring with good waterproofness;
- 6.Protecting net has post-galvanization plastic-dipping treatment with attractive and durable, and good antiseptic property;
- 7.Exposed fastener is made of stainless steel materials;
- 8.Full thread structure is used to quickly open and be easy for installation and maintenance;
- 9.Steel pipe wiring.

**RDB88**

Explosion proof and maintenance free  
low carbon electrode free lamp (IIC, DIP)

**配光曲线 Distribution curve flux****主要技术参数 Main technical parameters**

执行标准 (Executive standard): GB 3836.1、GB 3836.2、GB3836.3、GB12476.1、IEC60079

防爆标志 (Ex-mark): ExdIICT6Gb/DIPA21TA,T6

额定电压 (Rated voltage): AC 220V

配备光源 (Equipped light source): 40W、50W (I型) 100W、120W、150W (III型)  
65W、80W (II型)

防腐等级 (Corrosion-proof-class): WF1、WF2

引入口规格 (Entry spec): G3/4"

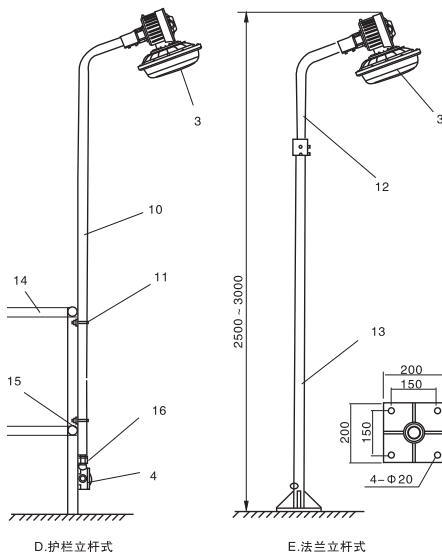
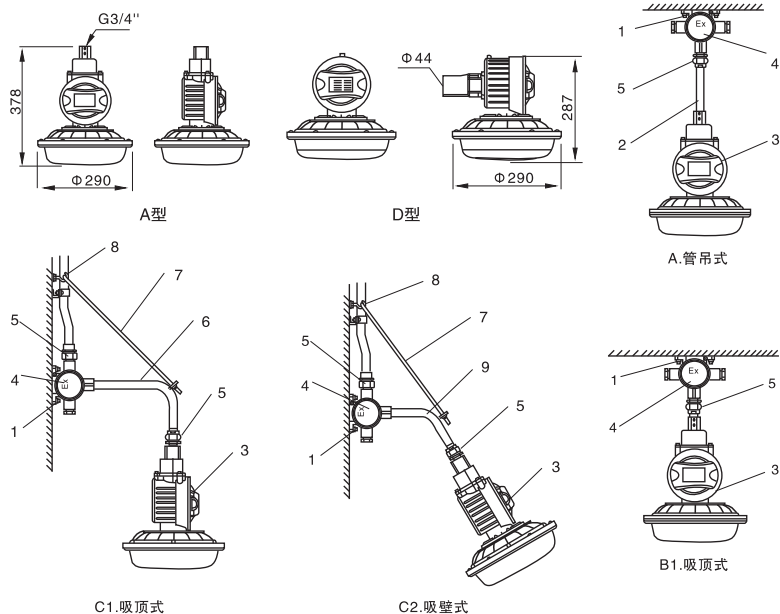
适用电缆外径 (Cable's outer diameter):  $\Phi 9\text{mm} \sim \Phi 14\text{mm}$

# 防爆灯具

## RDB88

防爆免维护低碳无极灯(IIC、DIP)

### 外形及安装尺寸 Outlines & installation dimensions



1. (膨胀)螺栓(用户自备) (Expansion) bolt
2. G3/4" 吊管 G3/4" swing pipe
3. 灯具 Lamps
4. 防爆接线盒(用户另购) Explosion-proof junction box
5. 防爆活接头(用户另购) Explosion-proof union
6. 90° 弯管 90° elbow
7. 拉杆及螺母 Pull rod and nut
8. 钩钉 Hook nail
9. 120° 弯管 120° elbow
10. 1 1/4" 护栏立杆 1 1/4" guardrail upright pole
11. 管卡 Pipe clamp
12. 1 1/4" 弯管 1 1/4" elbow
13. 1 1/2" 法兰立杆 1 1/2" flange upright pole
14. 护栏(用户自制) Guardrail
15. 固定支架(用户自制) Fixed support
16. G3/4" 防爆连接器 G3/4" explosion-proof connection joint